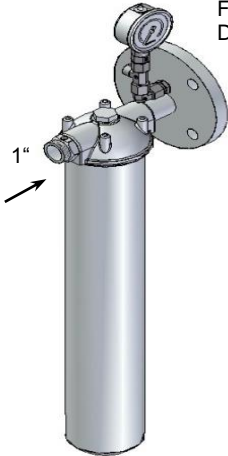
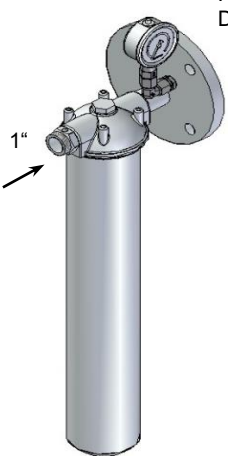
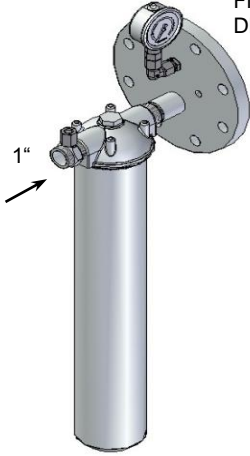


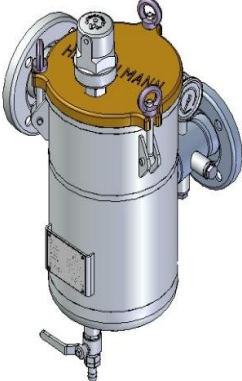
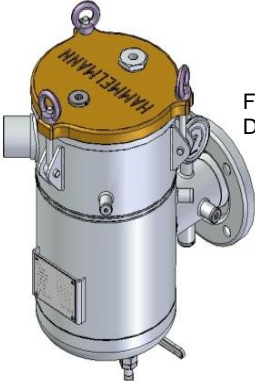
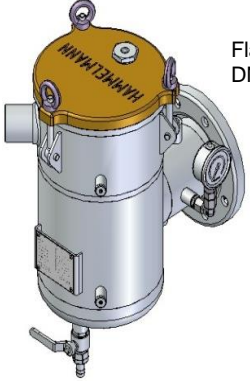
# SUCTION SIDE FITTINGS

## WITH STANDARD FILTER DESIGN

11.D.1 – 09/18

Stainless steel filter housing with drain cock; 65 mm dia. inlet flange to DIN 2642; Housing cover plate secured with eye bolts and incorporating an air venting valve; stainless steel pipe work connection to HP pump with suction pressure gauge. **Attention: Does not include filter bag.** Refer to page 11.D. Can be fitted with electrically actuated filter differential pressure sensor and automatic unit cut out. See page 9.F. or 10.D.

<p>max. 35 l/min.</p>  <p>Flange DN 50</p> <p>1"</p>	<p>max. 35 l/min.</p>  <p>Flange DN 65</p> <p>1"</p>	<p>max. 35 l/min.</p>  <p>Flange DN 100</p> <p>1"</p>
<p><b>HDP 20</b></p> <p><b>Code no.</b> <b>00.00134.0341</b></p>	<p><b>HDP 40 / 70</b></p> <p><b>Code no.</b> <b>00.00134.0203</b></p>	<p><b>HDP 140</b></p> <p><b>Code no.</b> <b>00.00134.0268</b></p>

<p>max. 100 l/min.</p>  <p>Flange DN 50</p>	<p>max. 100 l/min.</p>  <p>Flange DN 65</p>	<p>max. 100 l/min.</p>  <p>Flange DN 100</p>
<p><b>HDP 20</b></p> <p><b>Code no.</b> <b>00.00995.0074</b></p>	<p><b>HDP 40 / 70</b></p> <p><b>Code no.</b> <b>00.00995.0077</b></p>	<p><b>HDP 140 / 200 / 300</b></p> <p><b>Code no.</b> <b>00.00995.0071</b></p>

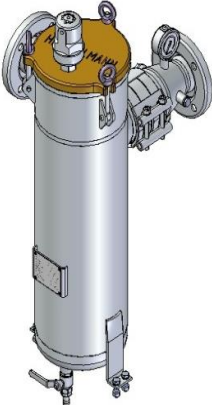
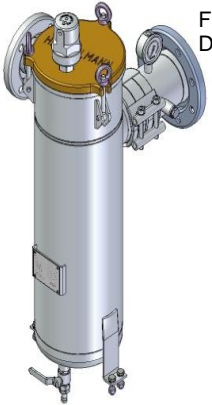
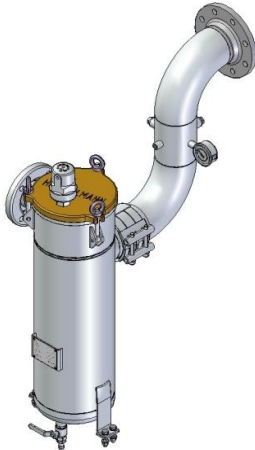


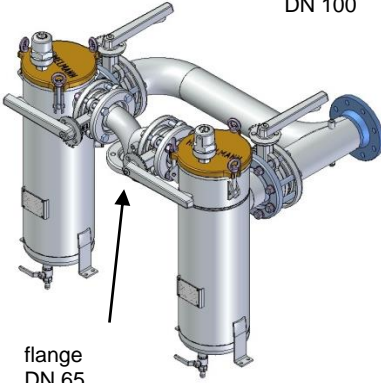
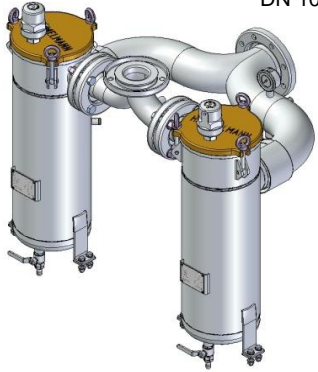
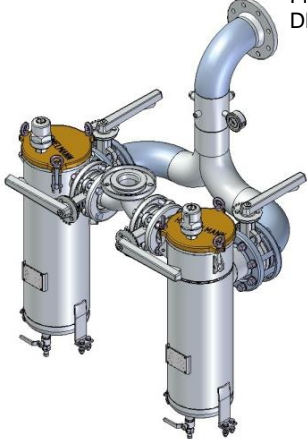
**Attention:** The filter cover made of brass (code no. 01.00665.0419) can be exchanged against filter cover made of stainless steel (code no. 01.00665.0441).

**HAMMELMANN®**

# SUCTION SIDE FITTINGS WITH STANDARD FILTER DESIGN

11.D.2 – 09/18

<p>max. 300 l/min.</p>  <p>Flange DN 65</p>	<p>max. 300 l/min.</p>  <p>Flange DN 100</p>	<p>max. 300 l/min.</p>  <p>Flange DN 100</p>
<b>HDP 40 / 70</b>	<b>HDP 140 / 200 / 300</b>	<b>HDP 400 / 500 / 800</b>
<b>Code no. 00.00134.0233</b>	<b>Code no. 00.00134.0215</b>	<b>Code no. 00.00134.0152</b>

<p>max. 300 (600) l/min.</p>  <p>Flange DN 100</p> <p>flange DN 65</p>	<p>max. 300 (600) l/min.</p>  <p>Flange DN 100</p>	<p>max. 300 (600) l/min.</p>  <p>Flange DN 100</p>
<b>Changeover valve for HDP 140 / 200</b> max. flow rate 300 l/min in one filter	<b>HDP 140 / 200 / 300</b> double filter 2 x 300 l/min	<b>Changeover valve for HDP 400 / 500 / 800</b> max. flow rate 300 l/min in one filter
<b>Code no. 00.00134.0358</b>	<b>Code no. 00.00134.0390</b>	<b>Code no. 00.00134.0151</b>

**Attention:** By use of double filter HDP 400 / 500 please mention bracket code no. 00.01630.1039.

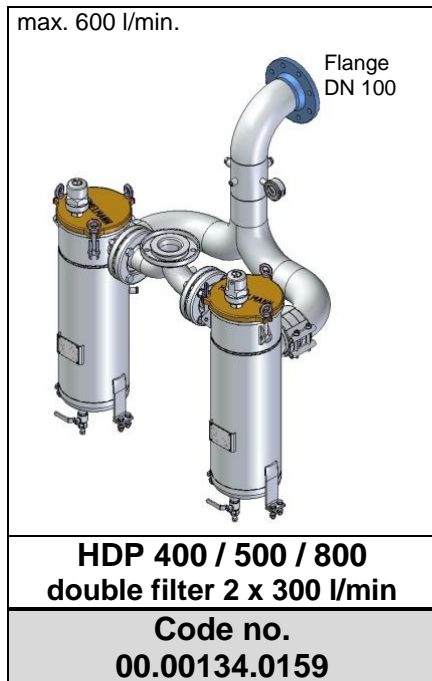


**Attention:** The filter cover made of brass (code no. 01.00665.0419) can be exchanged against filter cover made of stainless steel (code no. 01.00665.0441).

**HAMMELMANN®**

# SUCTION SIDE FITTINGS WITH STANDARD FILTER DESIGN

11.D.3 – 09/18



**Attention:** By use of double filter HDP 400 / 500 please mention bracket code no. 00.01630.1039.

**Attention:** The filter cover made of brass (code no. 01.00665.0419) can be exchanged against filter cover made of stainless steel (code no. 01.00665.0441).

**HAMMELMANN®**