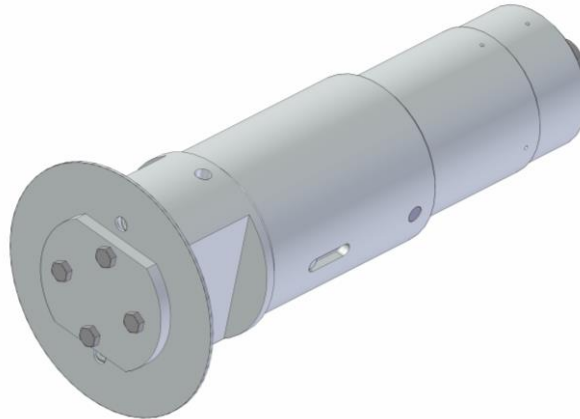


DESIGN RDM 750

- Designed for **mechanical deployment**
- Stainless steel housing
- Adjustable, dust tight and encapsulated eddy current brake
- Wear resistant rotary action with labyrinth seal
- Axial nozzle arrangement.
- With protective cover Ø 250 mm



Typical applications

- Cleaning pipes, boilers, furnaces
- Roughening concrete surfaces
- Coating and paint removal

Technical data

Operating pressure max.:	1600 bar
Flow rate max.:	400 l/min.
Pressure loss at 300 l/min.:	5 bar
Pump power:	400 - 1000 kW
Speed of rotation:	100 - 1000 min ⁻¹
Weight approx.:	72 kg
Length:	635 mm
Diameter:	250 mm
Connection A/F:	46 mm
Connection thread:	M 36 x 2 DKO
No. of nozzles:	2
Nozzle:	Design "L" (axial)

Code no.

00.00786.0119
