

FRV 3000 - BYPASS

- Available with and without direct vacuuming of water and waste material.
- Spray bar driven by reaction force of the water jets.
- Optimum spray bar design with 4 nozzle arms enabling the fitting of up to 16 nozzle inserts!
- Height adjustable spray bar.
- Wear resistant rotary action with dynamic high pressure seal.
- Spray bar housing with special seal and suction outlets.
- Bypass valve mechanically actuated.
- Four wheel carriage.



TYPICAL APPLICATIONS

- Direct vacuuming allows the use of high pressure water blasting in factories and machine shops without halting production or on roads, upper storeys of buildings etc. without the need for closure.
- Cleaning PLUS vacuuming of petrol, oil and grease deposits.

CONSTRUCTION INDUSTRY

- Removing PLUS vacuuming of paints, mastics, laitance, adhesion inhibitors, renderings etc.
- Brightening PLUS vacuuming of thermo-plastic flooring.
- Scarifying PLUS vacuuming of concrete and asphalt.

MARINE INDUSTRY

- Removal PLUS vacuuming of paint, deck coatings, rust etc.

TECHNICAL DATA

Operating pressure max.:	3000 bar
Working width:	215 mm
Flow rate max.:	40 l/min
Pressure loss at 40 l/min.:	60 bar
Reaction force max.:	550 N
Perm. speed of rotation max.:	3000 min ⁻¹

Dimensions:

Length approx.:	1430 mm
Width approx.:	370 mm
Height approx.:	960 mm


Connections:

High pressure hose:	M14 x 1.5 LH, both ends
Suction fitting:	2 x outer dia. 50 mm

Weight:

└ without suction hose:	90 kg
└ with suction hose:	130 kg

AQUABLAST®-Plus	Code no.
Mechanical, with bypass control, without suction and press. hose	00.00078.0049

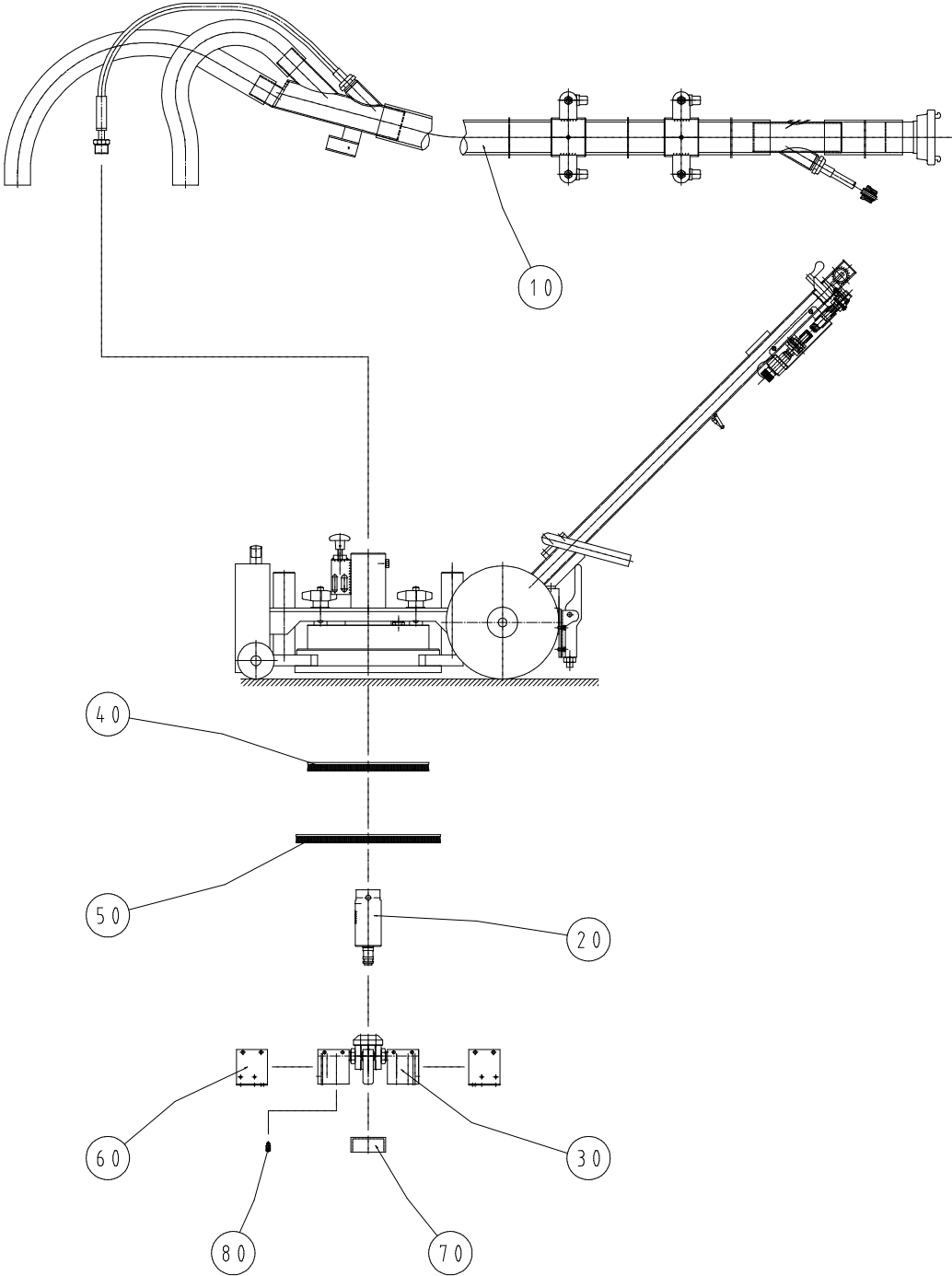
	<p>Nozzle inserts design "P" or "T" - 16 pieces -</p>
---	--

ACCESSORY (optional)	Code no.
Suction and pressure hose, with B-coupling, 12 m	00.04590.0019

AQUABLAST®-PLUS FRV 3000

ACCESSORIES AND SPARES

13.E.2 – 08/2022



AQUABLAST® -PLUS FRV 3000

ACCESSORIES AND SPARES

13.E.3 – 08/2022

AQUABLAST® -PLUS FRV 3000 - BYPASS			
Item no.	Quantity	Description	Code no. / per piece
10	1	12 m hose assy. incl. HP hose, suction hose	00.04590.0019
20	1	Rotary connection	00.00062.0175
30	1	16 jet spray bar	00.03567.9139
40	1	Inner brush, large (standard) only for Q ≥ 25 l/min.	04.00594.0023
	1	Inner brush, fine, only for Q ≥ 25 l/min.	04.00594.0026
50	1	Outer brush, large (standard) for rough surfaces i.e. concrete	04.00594.0024
	1	Outer brush, fine, for smooth surfaces i.e. steel plate	04.00594.0025
60	1	Protective cover for spray bar 01.01599.0373	01.04870.0066
	1	Protective cover for spray bar 01.01599.0375	01.04870.0068
	1	Protective cover for spray bar 01.01599.0374	01.04870.0067
	1	Protective cover for spray bar 01.01599.0376	01.04870.0069
70	1	Protection for hub	01.04380.1061
80	total 16	Nozzle inserts design "P" or "T", M 10	04.00790.xxxx
		Plug M10 (as required)	01.05214.0045

HAMMELMANN®