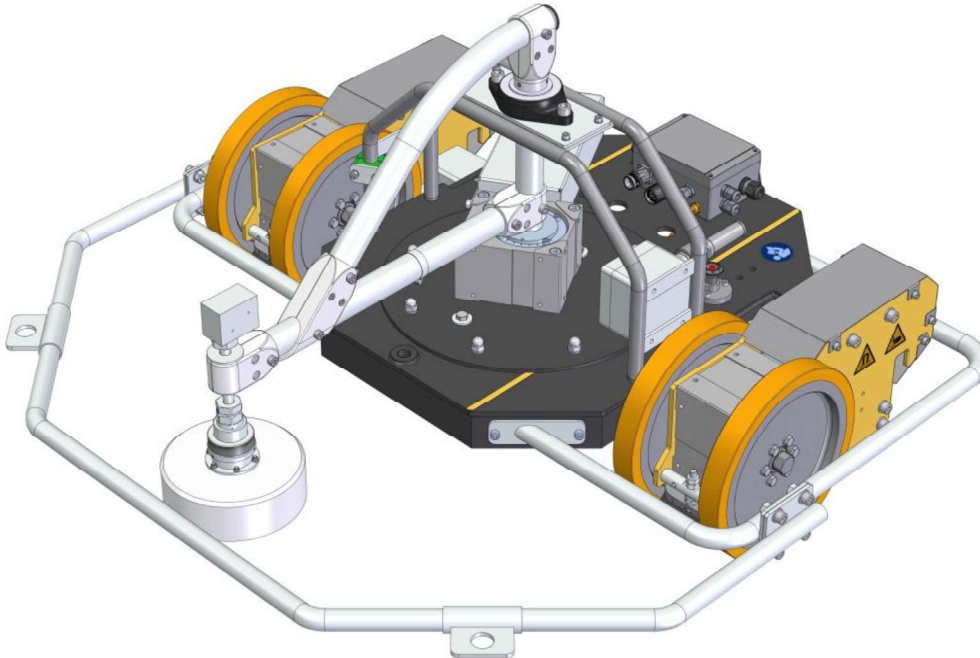


# SPIDERJET<sup>®</sup>-M - SWIVEL 3000 BAR

13.H.19 – 08/2022

The SPIDERJET<sup>®</sup>-M SWIVEL is a mobile high pressure water cleaning device with two wheels electric motor drive. The unit is attached to the work surface with permanent magnets.



- Maximum manoeuvrability via two independent, electrical drives.
- Portable control panel for one-man operation.  
(⇒ manoeuvring, working speed, switching the high pressure water ON/OFF)
- The mobile control unit controls and monitors all functions necessary for operation and transmits these to the cleaning unit via a control cable.
- Two fall arresters safeguard against falls from vertical or inclined surfaces.
- Cleaning of an infinitely adjustable, preset range from 0 to 120°.

CODE NO.	
Spiderjet <sup>®</sup> -M SWIVEL	00.00078.0079
Spiderjet <sup>®</sup> -M SWIVEL with radio remote control	00.00078.0081

**HAMMELMANN<sup>®</sup>**

# SPIDERJET<sup>®</sup>-M - SWIVEL 3000 BAR

13.H.20 – 08/2022

## APPLICATION

- Cleaning, paint removal and de-coating of horizontal, vertical or inclined surfaces made of steel (ferromagnetic).
- Drives with self-adjusting camber adapt to the surface to be cleaned.
- Convex work surface with min. radius of 10 m.
- Concave work surface with min. radius of 10 m.
- Not suitable for use in explosive areas.

## EXAMPLES OF USE

- Cleaning and paint removal from ships' outer surface.
- Removal of marine growth from ships' hulls.
- External and internal cleaning of large oil storage tanks on oil refineries.

## TECHNICAL DATA

Operating pressure:	max. 3000 bar
Travel speed:	7 m/min
Turning circle:	< 2 m
Sealing system rotating joint:	hydrodynamic sealing system
<b>Drive mode:</b>	
└ HP tool:	reaction force powered
└ Travel drive:	electrical
<b>Connection:</b>	
└ Water high pressure:	M14 x 1.5
└ Mains electric supply to control panel:	230 ±10 V 16 A, 50/60 Hz
Tension on control cable; suction and high pressure hose:	max. 20 kg (support at 10 m)
Control cable length:	50 m
Dimensions (L x W x H):	1163 x 1249 x 623 mm
<b>Weight (without accessories):</b>	
└ with radio control:	128 kg 263 kg

## Radio remote control



## Construction



**HAMMELMANN<sup>®</sup>**

# SPIDERJET®-M - SWIVEL 3000 BAR

13.H.21 – 08/2022

## ACCESSORIES (PART OF SUBASSEMBLY)

Description	Code no.
<p><b>CONTROL PANEL / CABLE TROLLEY</b></p> <p>Dimensions (L x W x H): 1165 x 600 x 627 mm</p> <p>Weight: 90 kg</p>	<p><b>00.05150.0024</b></p>
<p><b>SAFETY ARRESTER</b></p> <p>Fall protection with automatic rope retraction device</p> <p>Rope length: 32 m</p> <p>Weight: approx. 20 kg</p>	<p><b>04.04060.0004</b></p> <p>(2 pieces required: 1 x right &amp; 1 x left)</p>



## ACCESSORIES (OPTIONAL)

Description	Code no.
<p><b>ROTORJET RD MASTERJET</b></p>	<p><b>00.00786.xxxx</b></p>

**HAMMELMANN®**