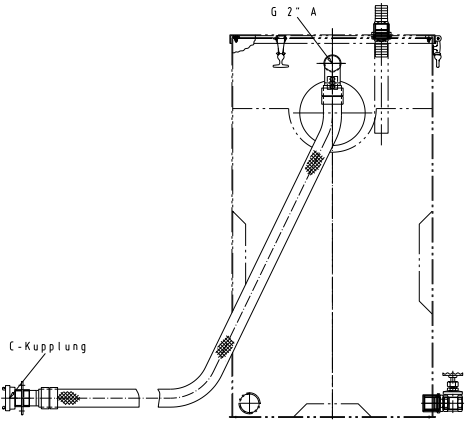
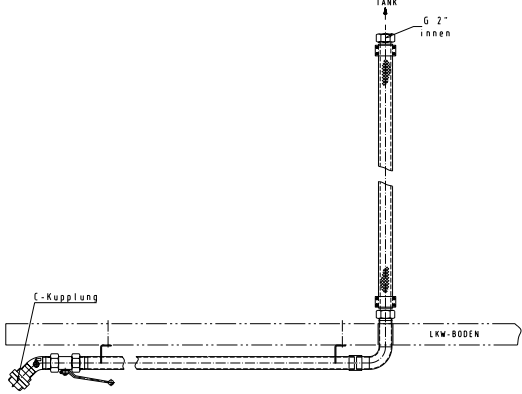
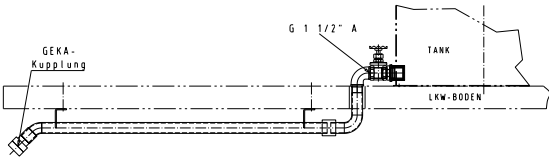


SUCTION SIDE FITTINGS

CONNECTION LINE TO THE TANK

- SPECIAL DESIGN -

<p>Supply line water tank</p> 	<p>Supply line water tank</p> 
<p>Supply line for 1350 l tank when assembled in 20' container</p>	<p>Supply line for 1350 l tank when assembled in track. C-coupling under chassis.</p>
<p>Code no. 00.02515.0156</p>	<p>Code no. 00.02515.0197</p>

<p>Drain water tank</p> 
<p>Drain of 1350 l tank assembled in track. GEKA-coupling under track</p>
<p>Code no. 00.02515.0210</p>

