

## SAFE AND ERGONOMIC WORK WITH HIGH PRESSURE WATER

The HAMMELMANN *JETBOY*® enables almost fatigue free work. This results in a noticeable increase in work rate with reaction forces up to 300 N.

Mechanical assistance for manual gun work on:

- Ceilings, supports (bridges, multistory car parks, etc.).
- Floor surfaces (removal of expansion joints and markings).
- Safe cleaning of hard to reach corner and border areas.

Flexible use due to the modular design of the *JETBOYS*®:

- Different lengths of the drawbar.
- Swivelling device for oscillating movement of the water tool.
- Mounting options of AQUABLAST® surface cleaners with various diameters and in different pressure ranges.

### Overhead cleaning and removal options



Manual blasting gun work

Reaction force free working with *JETBOY*® device.

The reaction force (N) is taken by the selected water tool holding device.

### Floor cleaning and removal operations

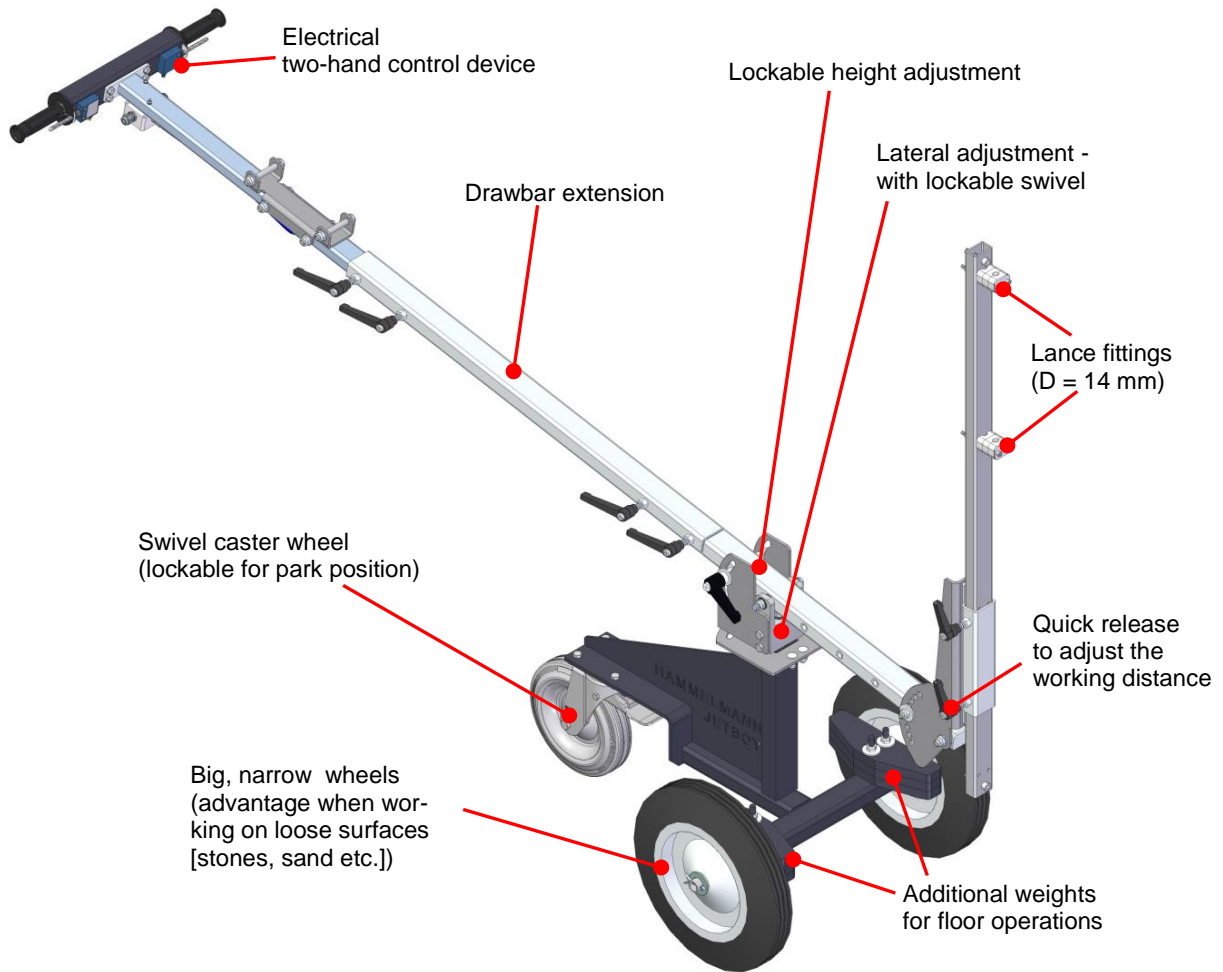


Manual blasting gun work

1 Single / rotor jet

2 Aquablast® surface cleaner

## SAFE AND ERGONOMIC WORK WITH HIGH PRESSURE WATER



Code no.

00.06020.0156

**HAMMELMANN®**

## SAFE AND ERGONOMIC WORK WITH HIGH PRESSURE WATER

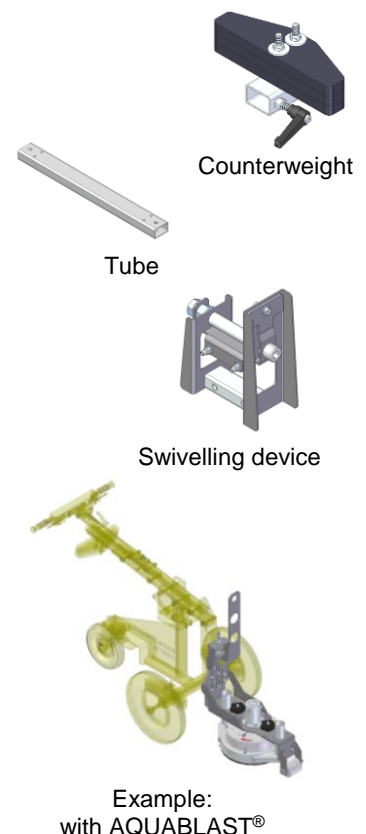
The JETBOY® is easily converted to have a shorter drawbar, (no additional accessories are required). The conversion can be carried out on site without difficulty using spanners and hexagon socket screw keys.

### Technical data

Pressure range:	up to 3000 bar
Working width:	215 - 500 mm
Reaction force:	max. 300 N
Width:	1100 - 2440 mm
Height:	1800 - 3000 mm
Weight (without counterweight):	69 kg

### Accessories (optional):

<p><b>Counterweight</b> to compensate for the high reaction forces when cleaning overhead or as a counterbalance when using a heavy AQUABLAST® surface cleaner</p>	<b>00.01390.0014</b>
<p><b>Tube</b> for use with short lances (min. 500 mm) for working under low ceiling heights up to 1 metre</p>	<b>01.03535.1502</b>
<p><b>Swivelling device</b> allows a pendulum motion of the lance for floor applications (optionally also applicable for ceiling works)</p>	<b>00.06037.0014</b>
<p><b>AQUABLAST® surface cleaner for JETBOY®</b> HP surface cleaner with vacuuming for fitting the HAMMELMANN JETBOY®.</p> <p><u>Technical data</u> Operating pressure max.: 3000 bar Flow rate max.: 40 l/min. Working width: 215 mm Weight: 41 kg Further AQUABLAST® surface cleaners upon request.</p>	<b>00.00078.0040</b>
<b>Rotorjet</b>	<b>upon request</b>



For more information refer to the product presentation and the appendant drawing (00.06020.0156, sheet 2).