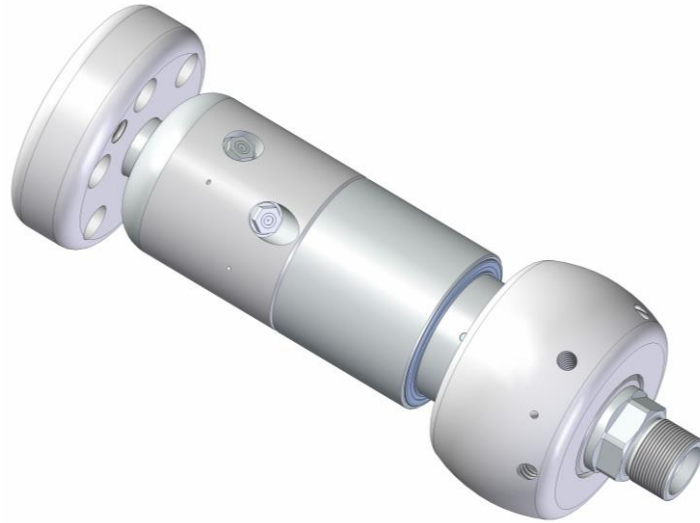


## DESIGN RDM 200

- Designed for automatic pipe cleaning
- Stainless steel housing
- Dust tight, encapsulated eddy current brake
- Cooling sleeve
- Wear resistant rotary action with labyrinth seal
- Radial nozzle arrangement. Especially for pipe cleaning



### Typical applications

- Cleaning pipes, boilers, furnaces

<b>Code no.</b>
<b>00.00786.0091</b>

### Technical data

Operating pressure max.:	1000 bar
Pressure loss at 180 l/min.:	5 bar
Pump power:	90 - 230 kW
Speed of rotation:	100 - 1500 min <sup>-1</sup>
Weight approx.:	11.5 kg
Length:	376 mm
Diameter:	128 mm
Connection A/F:	41 mm
Connection thread:	M 36 x 2
No. of nozzles:	4

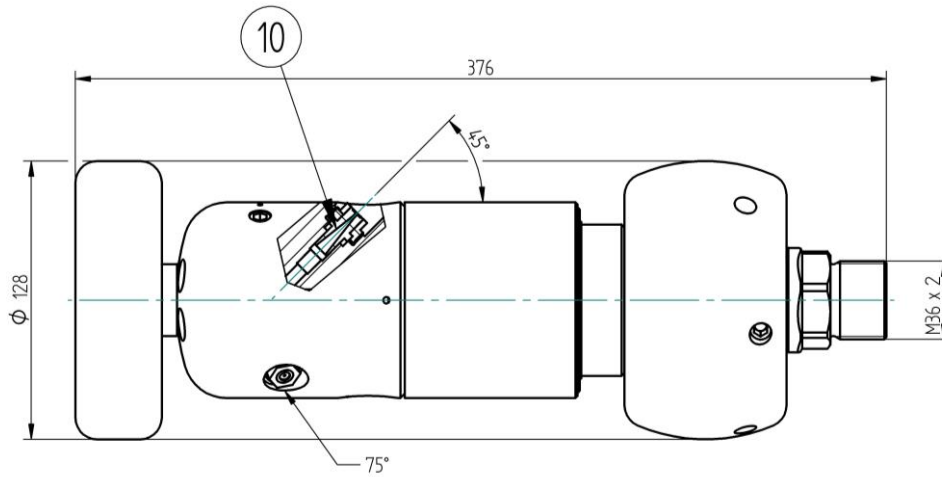
For nozzle inserts see reverse.

### Optional:

Description	Code no.
<b>Sledge</b> (suitable for internal diameter from 125 to 500 mm)	<b>00.01355.0005</b>

# ROTORJET ACCESSORY FOR DESIGN RDM 200

13.B.4 – 10/16



W Nozzles angle	L Nozzle offset (mm)	R
45°	0	
75°	7	radial

Item no.	Nozzle inserts: Design "A", Round jet, efficiency factor: 0.95							
	Code no. 04.05318.0xxx xxx = see table for last 3 digits of code no.							
10	Ø (mm)	xxx	Ø (mm)	xxx	Ø (mm)	xxx	Ø (mm)	xxx
	1,0	<b>075</b>	1,7	<b>081</b>	2,4	<b>027</b>	3,1	<b>091</b>
	1,1	<b>076</b>	1,8	<b>022</b>	2,5	<b>085</b>	3,2	<b>092</b>
	1,2	<b>077</b>	1,9	<b>082</b>	2,6	<b>086</b>	3,3	<b>093</b>
	1,3	<b>078</b>	2,0	<b>023</b>	2,7	<b>087</b>	3,4	<b>094</b>
	1,4	<b>079</b>	2,1	<b>083</b>	2,8	<b>088</b>	3,5	<b>095</b>
	1,5	<b>025</b>	2,2	<b>026</b>	2,9	<b>089</b>		
	1,6	<b>080</b>	2,3	<b>084</b>	3,0	<b>090</b>		

**HAMMELMANN®**