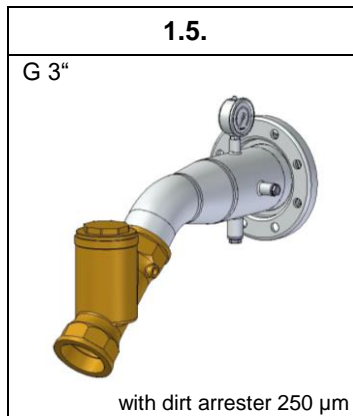
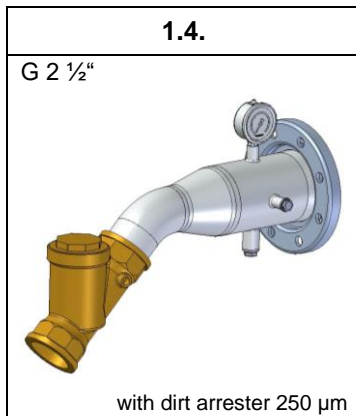
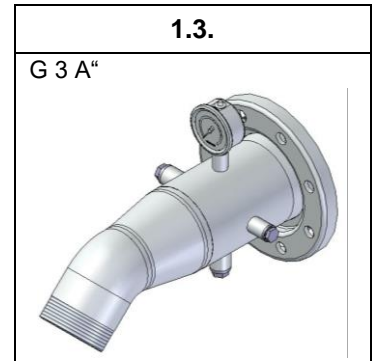
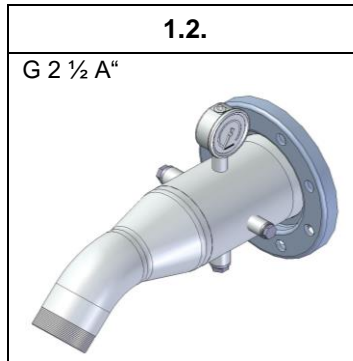
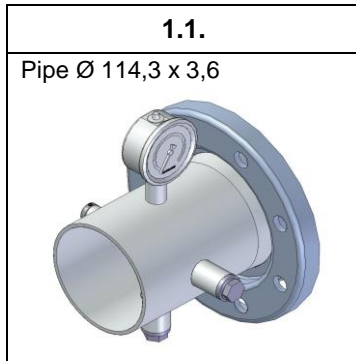


SUCTION SIDE FITTINGS

WITHOUT FILTER AND ACCESSORIES*)

Suction side fittings made of stainless steel with DIN flange connection DN 100 for high pressure pump, suction pressure gauge and connection for electric pressure sensor.

HDP
140 /
200 /
300



A = male thread

Standard connection, one side,
flange DN 100, DIN 2642, screws M 16

| Illustration | Code no. |
|--------------|---------------|
| 1.1 | 00.00134.0214 |
| 1.2 | 00.00134.0219 |
| 1.3 | 00.00134.0261 |

| Illustration | Code no. |
|--------------|---------------|
| 1.4 | 00.00134.0226 |
| 1.5 | 00.00134.0264 |
| 1.6 | 00.00134.0388 |

Claw coupling

| | | Code no. |
|------------|----------|---------------|
| Coupling C | G 2 ½" A | 02.01495.0003 |
| | G 2 ½" | 02.01495.0007 |
| Coupling B | G 3" A | 02.01495.0009 |
| | G 3" | 02.01495.0006 |

*) Not required for units which are supplied with filter or boost pump.